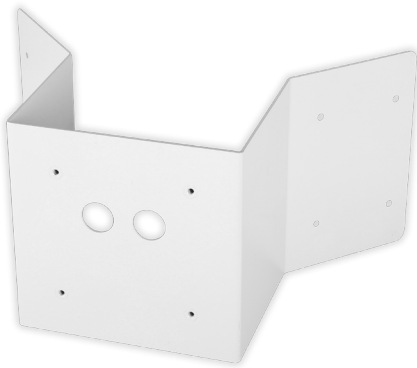


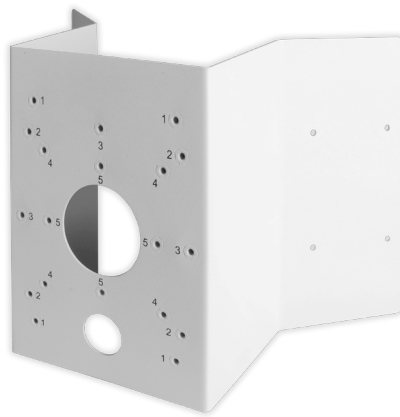
To: DW® employees
 Date: September 15, 2021
 Re: DWC-V1CNMW universal corner mount update

DWC-V1CNMW universal corner mount update

The optimized universal DWC-V1CNMW hardware now supports multiple products and will replace all other current corner mounts. The new hardware will include numbered mounting points, each number compatible with different wall mounts and junction boxes. Refer to the table below for supported products.

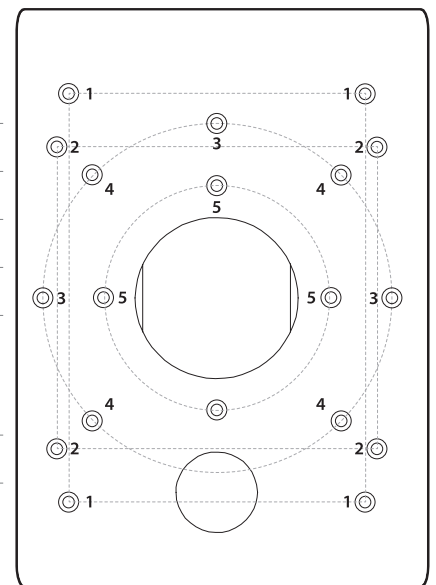


Old DWC-V1CNMW hardware



New universal DWC-V1CNMW hardware

Corner mount front view



Mounting point	Compatible wall mount	Mounting size
Mounting point 1	DWC-P230WMW	4.01" x 5.59" (102x142mm)
Mounting point 2	DWC-PZWM	4.13" x 4.33" (105x110mm)
Mounting point 3	DWC-WMJUNCW	Ø 4.76" (Ø 121mm)
Mounting point 4	DWC-V1WM, DWC-V1WMW, DWC-VAWM, DWC-V7WM, DWC-V7WMW, DWC-V4WMW, DWC-VFWMW, DWC-VFZWM	Ø 4.76" (Ø 121mm)
Mounting point 5	DWC-BLJUNC-W, DWC-BLJUNC	Ø 3.07" (Ø 78mm)

For more information

DW Technical Support
 Toll-free: 866.446.3595
digital-watchdog.com/contact-tech-support/